

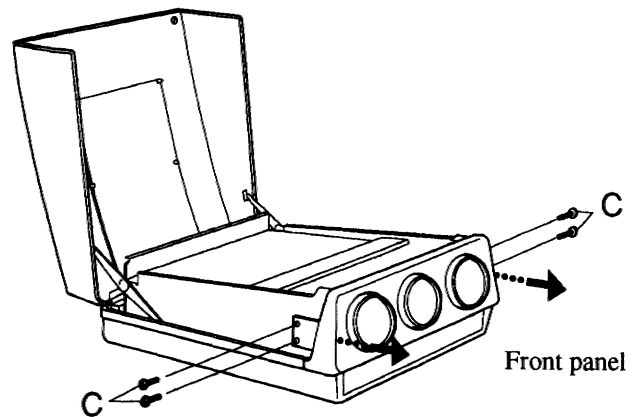
PROJECTION CONFIGURATION CHANGE

Changing Spacers

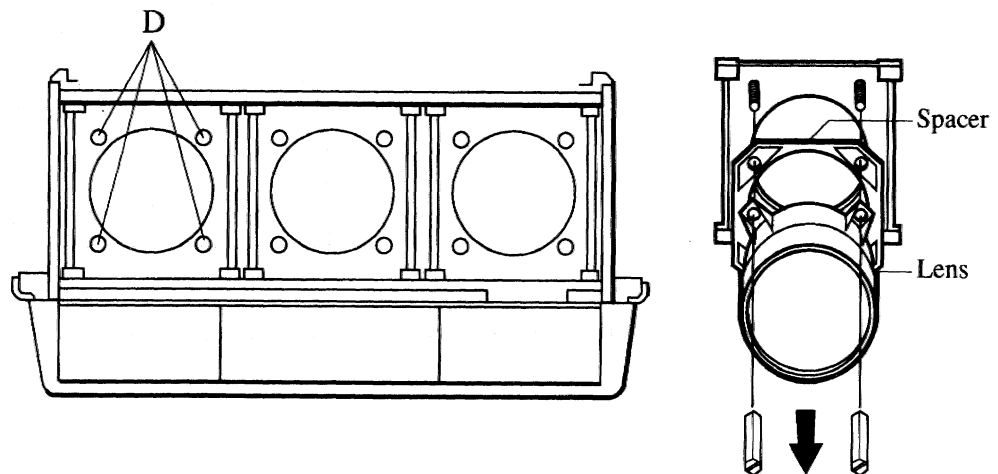
From the factory the projector is set for ceiling mount, 100 inch diagonal screen size and a projection angle of 11 degrees. You will need to change the spacers when the screen size or the projection angle is changed from the factory setting.

To replace the spacers, proceed as follows:

- ① Open the top cover.
 - See Opening Top Cover section.
- ② Remove the front panel.
 - Remove the four screws C which hold the front panel.



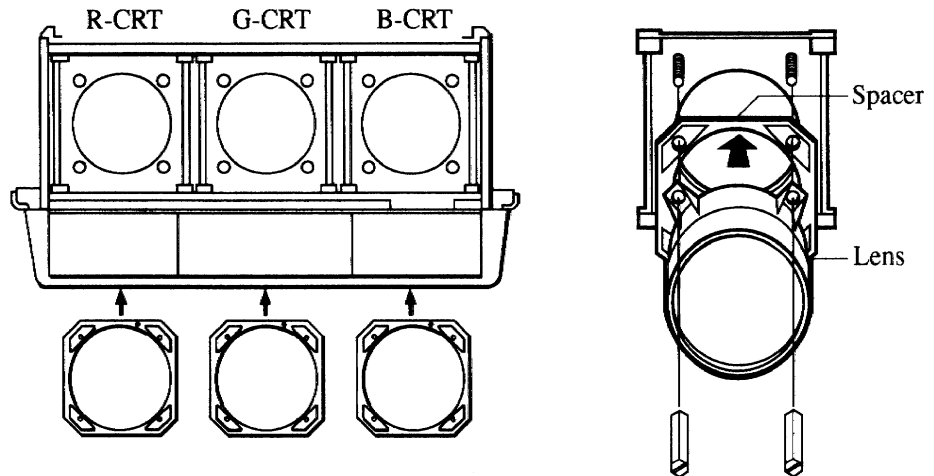
- ③ Remove the lens.
 - Remove the four nuts D in the lens. Do this for all three lenses (red, green, and blue).
 - Use caution to prevent damage to the lens during removal of the lens and spacers.



PROJECTION CONFIGURATION CHANGE

- ④ Replace the original spacers with the spacers you need for your application, then replace the lenses.
- See the table below.

Screen size and Projection angle	CRT	R	G	B	
60" 11°		A (012401971)	D (012402001)	A (012402971)	Accessory
100" 11°		B (012401981)	E (012402011)	B (012401981)	Normal position
200" or over 11°		C (012401991)	F (012402021)	C (012401991)	Accessory
60" 0°		G (012402211)	I (012402231)	G (012402211)	Accessory
100" 0°		H (012402221)	I (012402231)	H (012402221)	Accessory
200" or over 0°		I (012402231)	I (012402231)	I (012402231)	Accessory



■ Installing the spacers

- ① Check that the arrow marker on the spacer is pointing up.
- ② Install.

NOTE: The supplied spacers are used for maintaining optimum edge focus for the various screen sizes and projection angles. Each of these spacers are labeled and the table lists above which spacers should be used for any given screen size and angle. For best operation and performance, take the time to install the proper lens spacer for the application.

Spacers

